

Part Number:

1990209


Models:

Himalayan

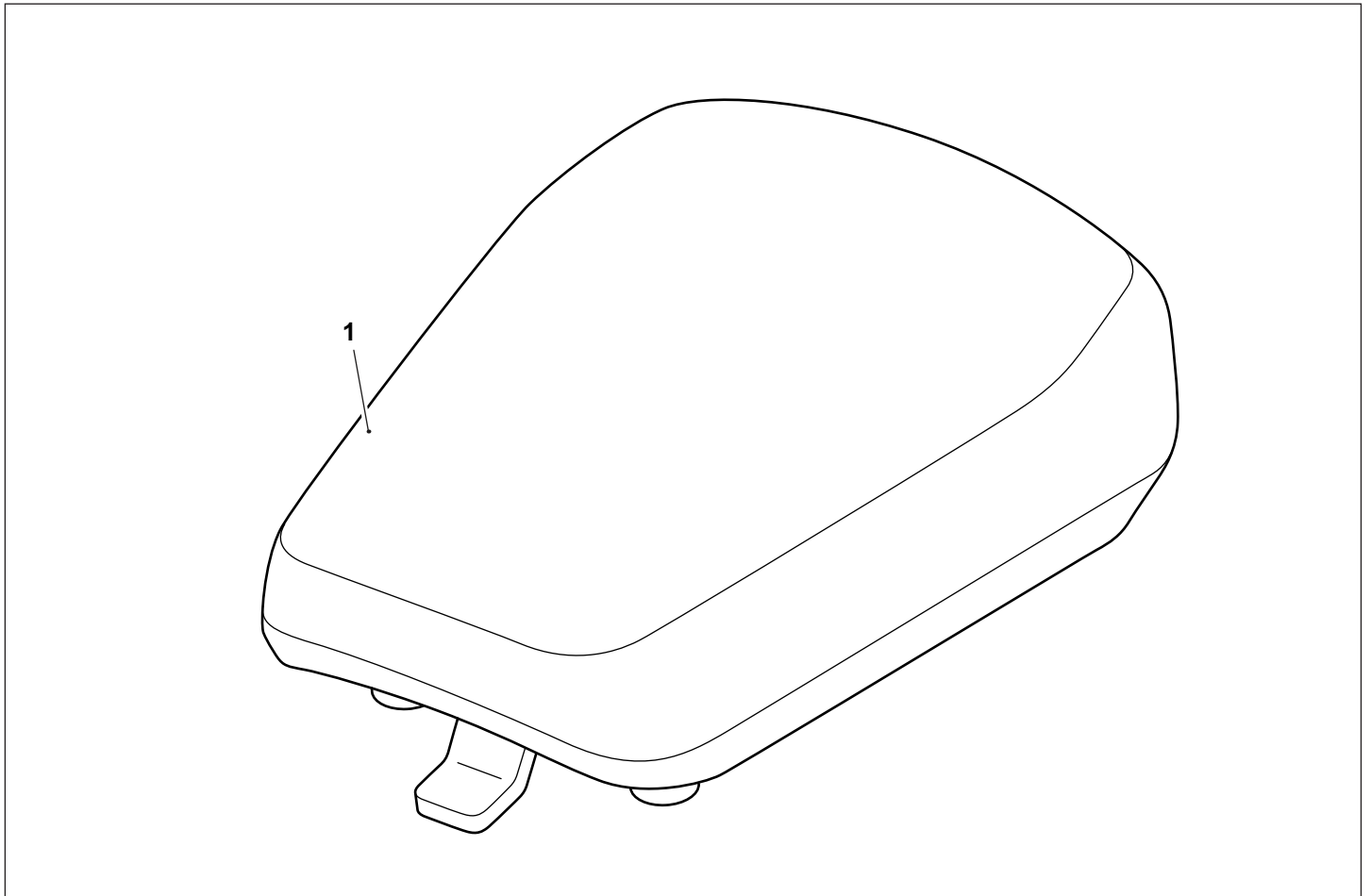
 **WARNING:** Royal Enfield genuine accessories are designed to fit only the specific Royal Enfield motorcycle(s) that are specified above. They should not be fitted to any other type of motorcycle. Pay particular attention to the warnings and cautions contained in this instruction, failure to do so may result in an incorrect installation of the accessory which could result in an unsafe riding condition and possible accident. If in any doubt always seek the help from your authorised Royal Enfield dealer.

 **WARNING:** Before starting any accessory kit installation ensure the motorcycle is supported in a stable condition. Failure to support the motorcycle correctly could lead to motorcycle damage or personal injury.

 **WARNING:** All fixings must be tightened to the torque values specified in this instruction. Failure to tighten fixings to the correct torque could result in an unsafe riding condition and possible accident.

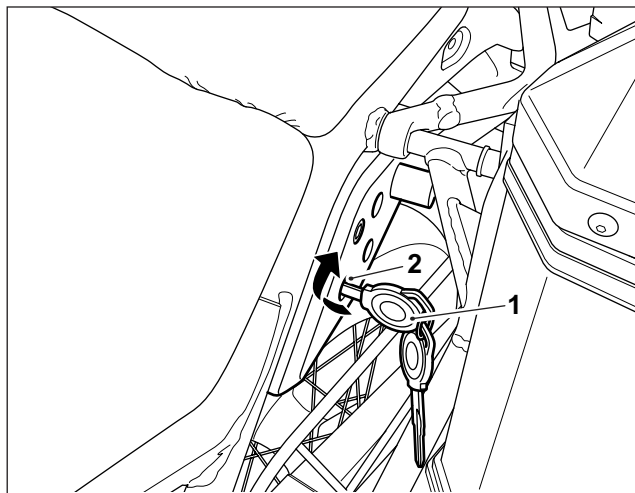
 **CAUTION:** Care should be taken when fitting any accessory kit. Incorrect handling kit components or the use of incorrect tools could lead to component or motorcycle damage.

NOTE: The content of this instruction is subject to change at any time without notice or liability. Royal Enfield reserves the right to revise the information presented at any time.

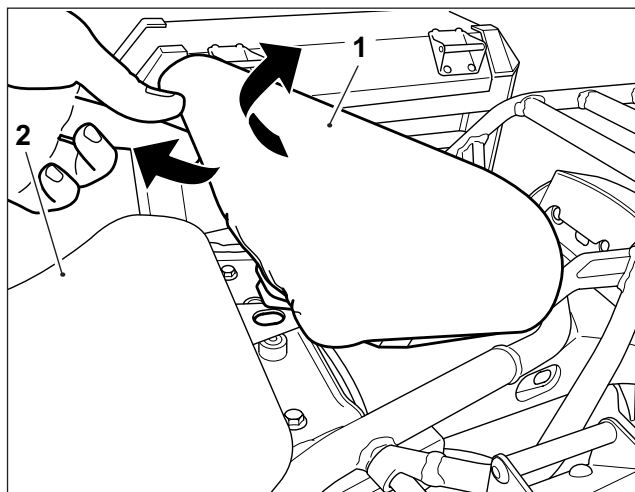


Item	Description	Qty
1	Passenger seat	1

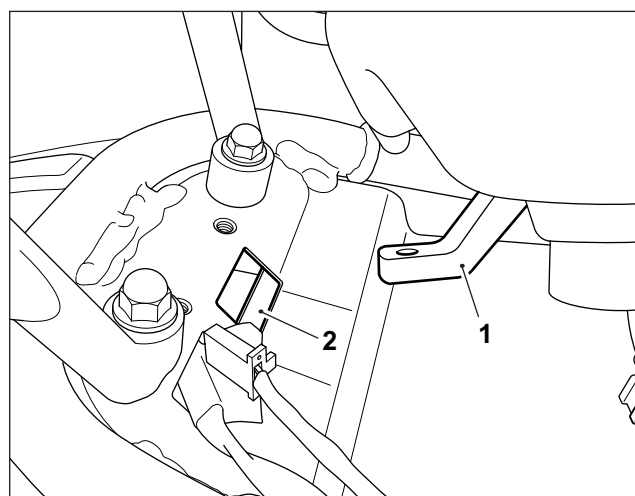
1 Insert the ignition key (1) in to the seat latch lock (2) on the left hand side of the motorcycle.
Turn the key clockwise to release the seat latch.



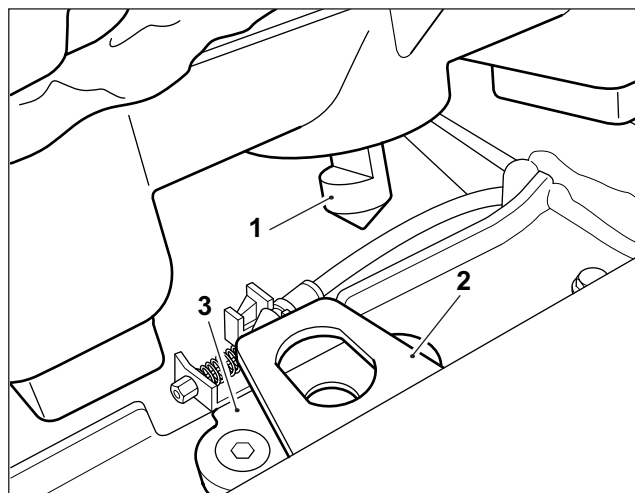
2 Lift the front of the passenger seat (1) clear of the rider seat (2) and slide the passenger seat towards the front of the motorcycle to remove, as shown. Retain the passenger seat for reuse.



21 Fit the touring passenger seat to the motorcycle ensuring the retainer (1) on the rear of the seat locates correctly in the motorcycle frame (2).



22 Lower the front of the seat ensuring the seat retaining peg (1) is aligned correctly with rider seat retaining bracket (2) and the seat latch assembly (3), as shown.
Press the front of the passenger seat down to engage in the seat latch.



WARNING: Pull the front of the seat upwards to check the seat is securely attached to the motorcycle. If the passenger seat is not correctly secured to the motorcycle it may allow movement or possible detachment of the rider or passenger seats while riding. A loose or detached seat may cause the motorcycle to become unstable and result in an accident.



WARNING: After fitting any genuine Royal Enfield accessory always ride the motorcycle with caution and allow time to become familiar with any change in the motorcycle handling characteristics. Failure to become familiar with any change in the motorcycle handling characteristics may cause the motorcycle to become unstable and result in an accident.