

**Part Number:**

1990827

**Models:**

Thunderbird

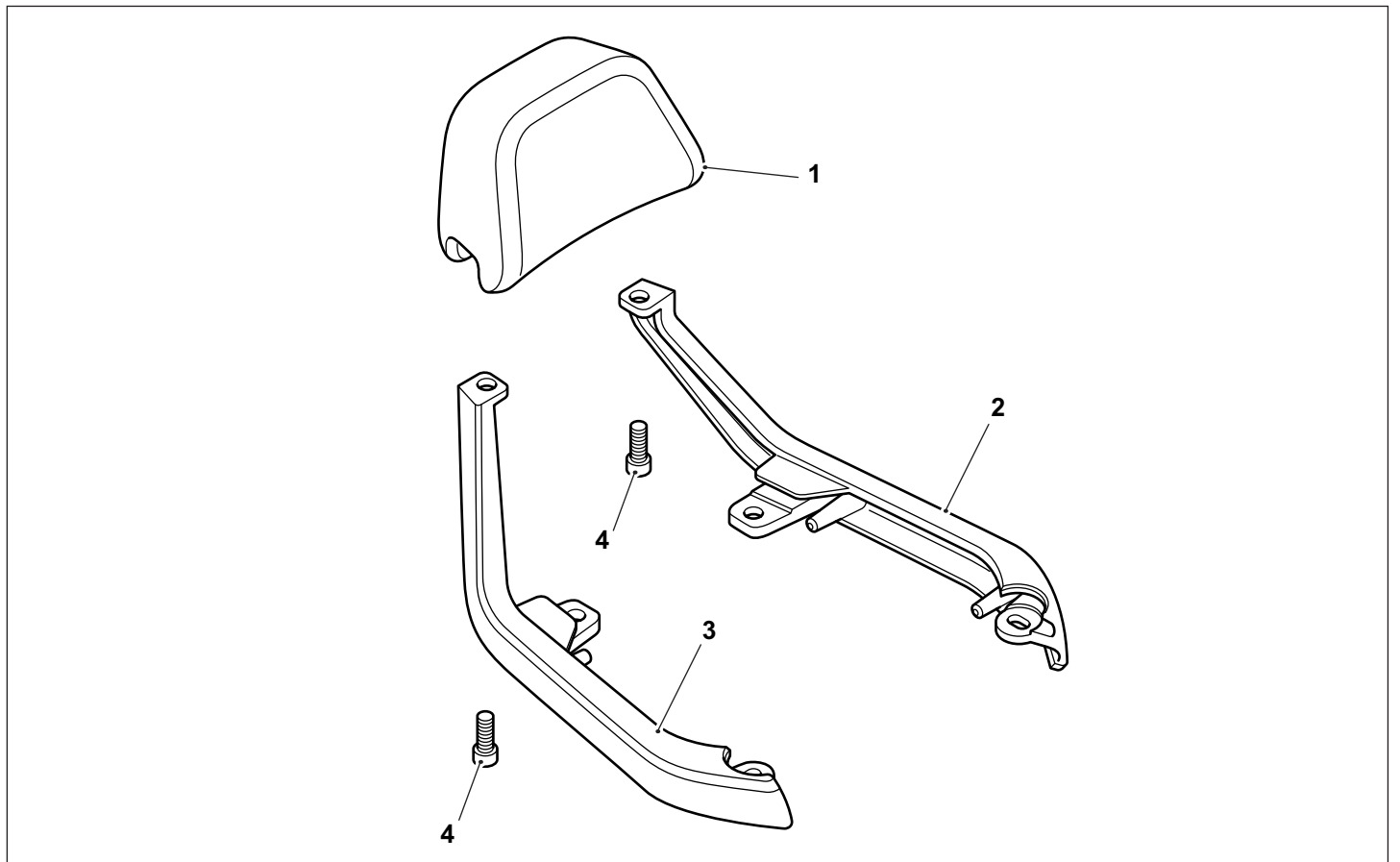
**WARNING:** Royal Enfield genuine accessories are designed to fit only the specific Royal Enfield motorcycle(s) that are specified above. They should not be fitted to any other type of motorcycle. Pay particular attention to the warnings and cautions contained in this instruction, failure to do so may result in an incorrect installation of the accessory which could result in an unsafe riding condition and possible accident. If in any doubt always seek the help from your authorised Royal Enfield dealer.

**WARNING:** Before starting any accessory kit installation ensure the motorcycle is supported in a stable condition. Failure to support the motorcycle correctly could lead to motorcycle damage or personal injury.

**WARNING:** All fixings must be tightened to the torque values specified in this instruction. Failure to tighten fixings to the correct torque could result in an unsafe riding condition and possible accident.

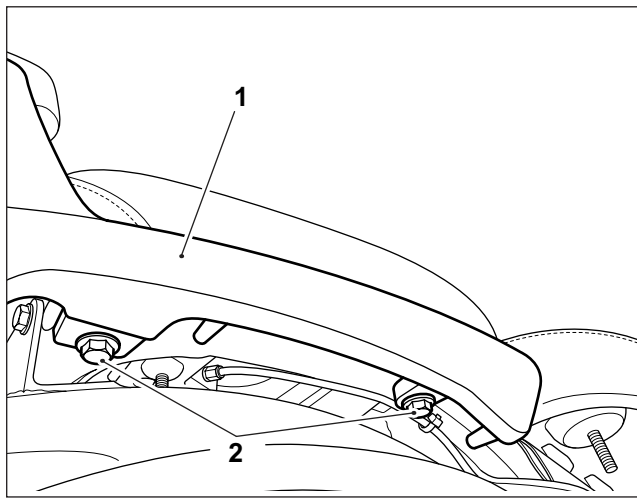
**CAUTION:** Care should be taken when fitting any accessory kit. Incorrect handling kit components or the use of incorrect tools could lead to component or motorcycle damage.

**NOTE:** The content of this instruction is subject to change at any time without notice or liability. Royal Enfield reserves the right to revise the information presented at any time.

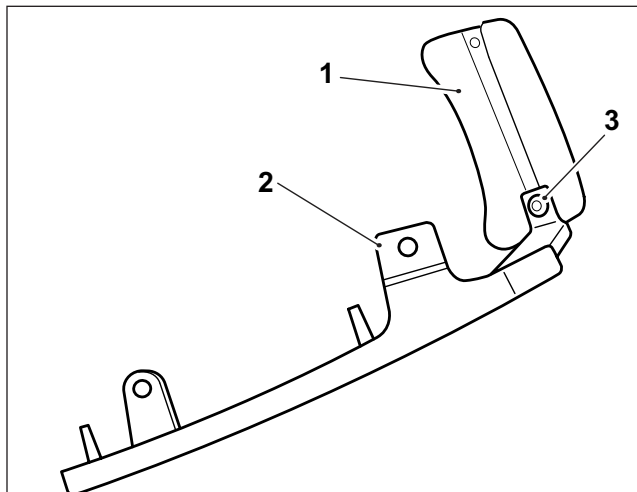


Item	Description	Qty
1	Backrest Pad	1
2	Backrest mount, left hand	1
3	Backrest mount, right hand	1
4	Fixing, M8 x 20mm	2

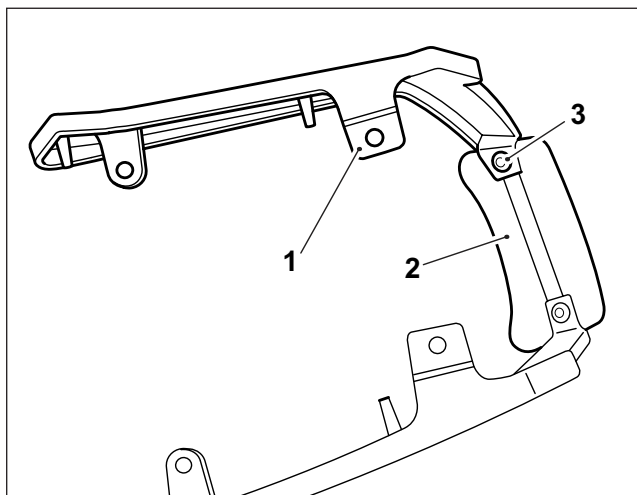
**1** While supporting the original backrest assembly (1), remove the backrest mount fixings (2), right hand side shown. Remove the backrest assembly from the motorcycle. Retain the original backrest assembly for reuse if the accessory backrest assembly is removed. Retain the fixings for reuse.



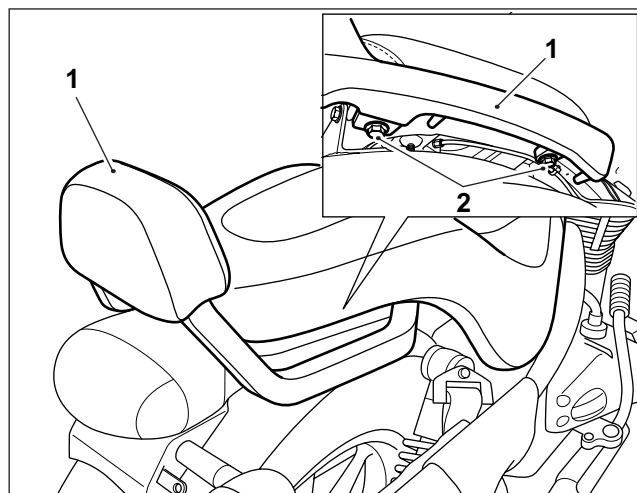
**2** Position the accessory backrest pad (1) onto the right hand backrest mount (2) from the kit in the orientation shown and align the fixing positions. Fit one of the M8 x 20mm fixings (3) from the kit, do not fully tighten the fixing at this stage.



**3** Position the left hand backrest mount (1) from the kit on the accessory backrest pad (2) in the orientation shown and align the fixing positions. Fit the M8 x 20mm fixing (3), do not fully tighten the fixing at this stage.



**4** Fit the backrest assembly (1) to the motorcycle and align the backrest mounts with the fixing positions on the motorcycle frame. Fit the original fixings (2), right hand side shown. Do not fully tighten the fixings at this stage.



**5** Tighten the m8 x 20mm backrest pad fixings to **25Nm**.  
Tighten the backrest mount fixings to **25Nm**.

**⚠ WARNING: After fitting any genuine Royal Enfield accessory always ride the motorcycle with caution and allow time to become familiar with any change in the motorcycle handling characteristics. Failure to become familiar with any change in the motorcycle handling characteristics may cause the motorcycle to become unstable and result in an accident.**