

**Part Number:**

1990831  
1990832

**Models:**

Thunderbird

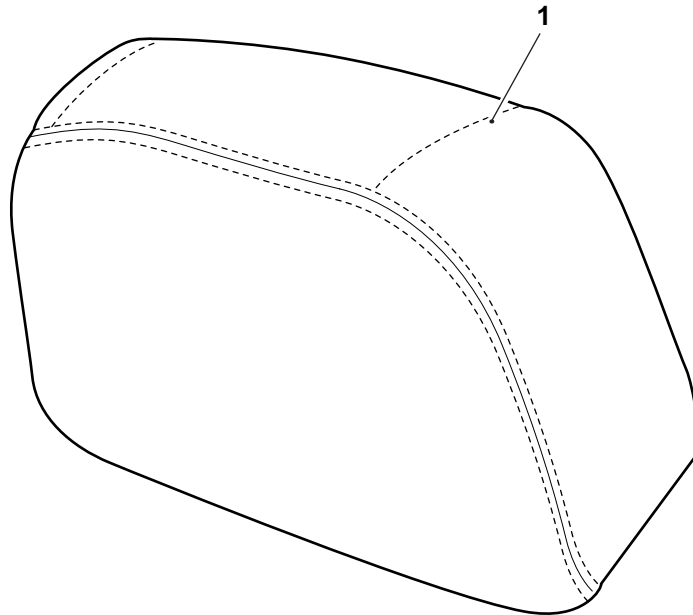
**WARNING:** Royal Enfield genuine accessories are designed to fit only the specific Royal Enfield motorcycle(s) that are specified above. They should not be fitted to any other type of motorcycle. Pay particular attention to the warnings and cautions contained in this instruction, failure to do so may result in an incorrect installation of the accessory which could result in an unsafe riding condition and possible accident. If in any doubt always seek the help from your authorised Royal Enfield dealer.

**WARNING:** Before starting any accessory kit installation ensure the motorcycle is supported in a stable condition. Failure to support the motorcycle correctly could lead to motorcycle damage or personal injury.

**WARNING:** All fixings must be tightened to the torque values specified in this instruction. Failure to tighten fixings to the correct torque could result in an unsafe riding condition and possible accident.

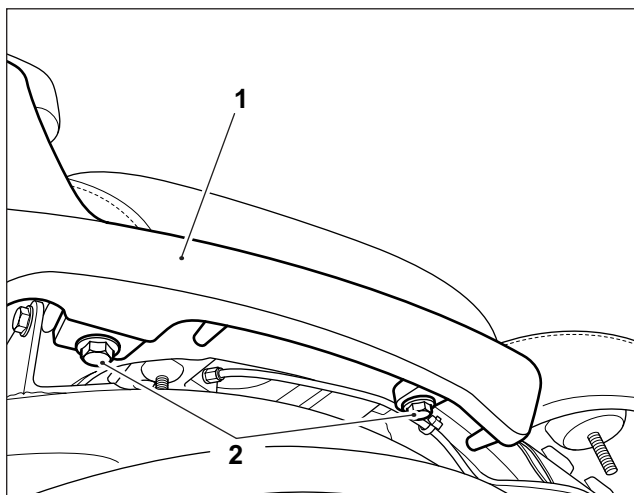
**CAUTION:** Care should be taken when fitting any accessory kit. Incorrect handling kit components or the use of incorrect tools could lead to component or motorcycle damage.

**NOTE:** The content of this instruction is subject to change at any time without notice or liability. Royal Enfield reserves the right to revise the information presented at any time.

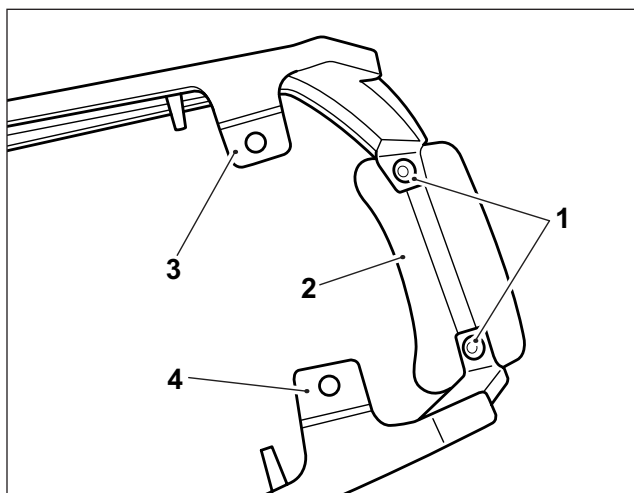


Item	Description	Qty
1	Backrest Pad	1

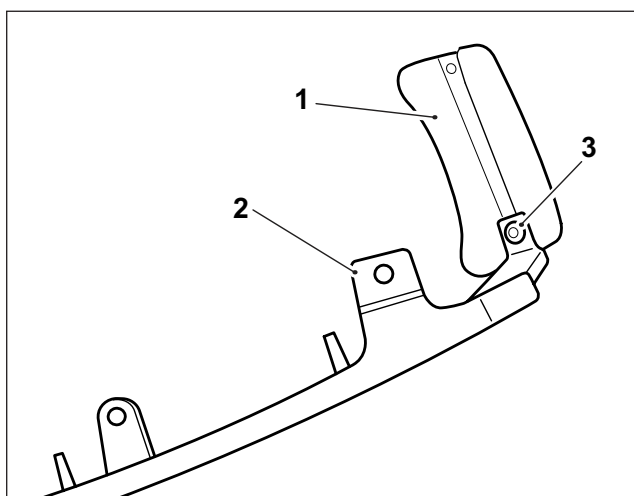
**1** While supporting the grab rail and backrest assembly (1), remove the grab rail fixings (2), right hand side shown. Remove the grab rail and backrest assembly from the motorcycle and transfer it to a clean work surface. Retain the fixings for reuse.



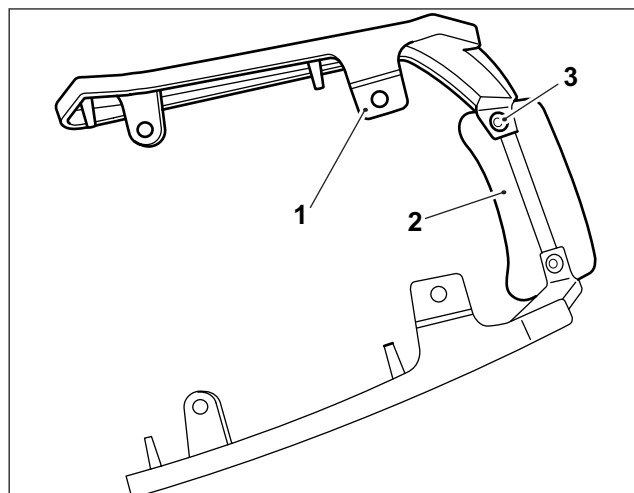
**2** Remove the fixings (1) retaining the original backrest pad (2) to the left hand (3) and right hand (4) grab rails. Retain the grab rails and fixings for reuse. Retain the original backrest pad for reuse if the accessory backrest pad is removed.



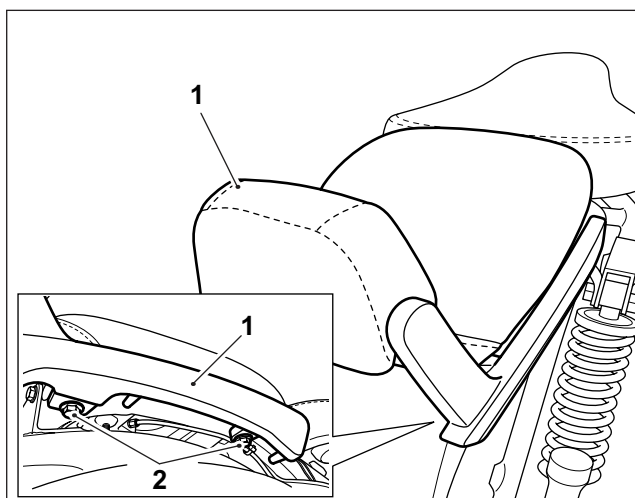
**3** Position the accessory backrest pad (1) from the kit onto the right hand grab rail (2) in the orientation shown and align the fixing positions. Fit one of the original fixings (3), do not fully tighten the fixing at this stage.



**4** Position the left hand grab rail (1) on the accessory backrest pad (2) in the orientation shown and align the fixing positions. Fit the original fixing (3), do not fully tighten the fixing at this stage.



**5** Fit the grab rail and backrest assembly (1) to the motorcycle and align the grab rails with the fixing positions on the motorcycle frame. Fit the original fixings (2), right hand side shown. Do not fully tighten the fixings at this stage.



**6** Tighten the backrest pad fixings to **25Nm**.  
Tighten the grab rail fixings to **25Nm**.

 **WARNING:** After fitting any genuine Royal Enfield accessory always ride the motorcycle with caution and allow time to become familiar with any change in the motorcycle handling characteristics. Failure to become familiar with any change in the motorcycle handling characteristics may cause the motorcycle to become unstable and result in an accident.